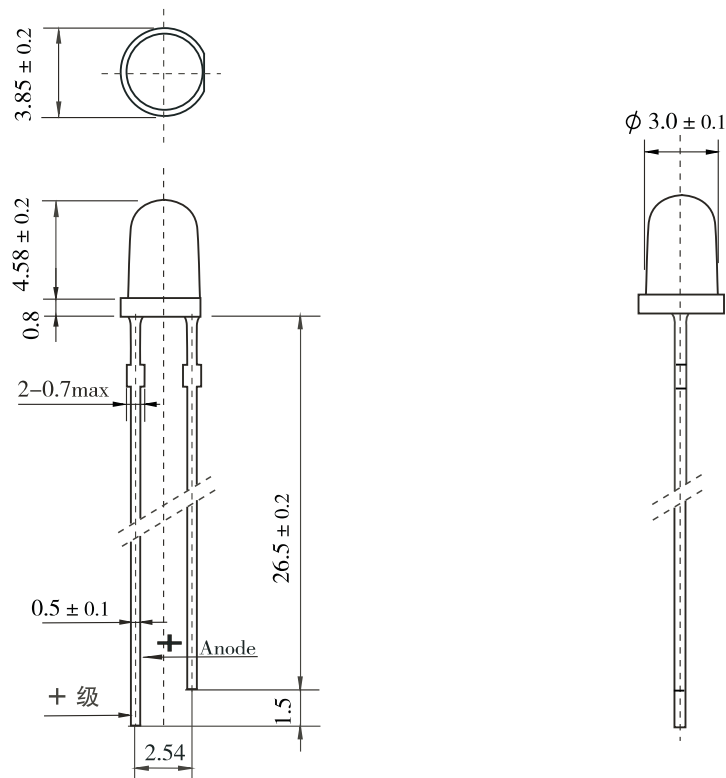


**FEATURES**

- Low power consumption.
- High Efficiency
- Round type
- T1 (3mm) diameter
- With Flange
- Solder leads without stand-off
- Compliant with RoHS

**DESCRIPTIONS**

- Chip Material: AlGaInP/GaAs
- Emitting Color: Green
- Lens Color: Green Diffused

**OUTLINE DRAWING**

**ATTENTION**


OBSERVE PRECAUTIONS  
FOR HANDLING  
ELECTROSTATIC  
SENSITIVE DEVICES

Tolerance is  $\pm 0.25$ mm  
Unless Otherwise Specified.





