

Surface Mounted Chip LED
Model No. : CL-SP172DWW
■ Features :

- Compatible with automatic placement equipment
- Compatible with reflow solder process

■ Applications :

- Automotive_Telecommunication
- Indicators
- LCD Back-lights
- Illuminations

Dice Material	Light Color	Lens Color
InGaN	white	Color Diffused

Absolute Maximum Ratings
(Ta=25°C)

Item	Symbol	Maximum	Unit
Power Dissipation	P _D	100	mW
Continuous Forward Current	I _F	20	mA
Peak Forward Current (1/10 Duty Cycle 0.1ms Pulse Width)	I _{FP}	100	mA
Reverse Voltage	V _R	5	V
Derating Linear From 25°C		0.4	mA/°C
Operating Temperature Range	T _{opr}	-30 to +80	°C
Storage Temperature Range	T _{stg}	-40 to +85	°C

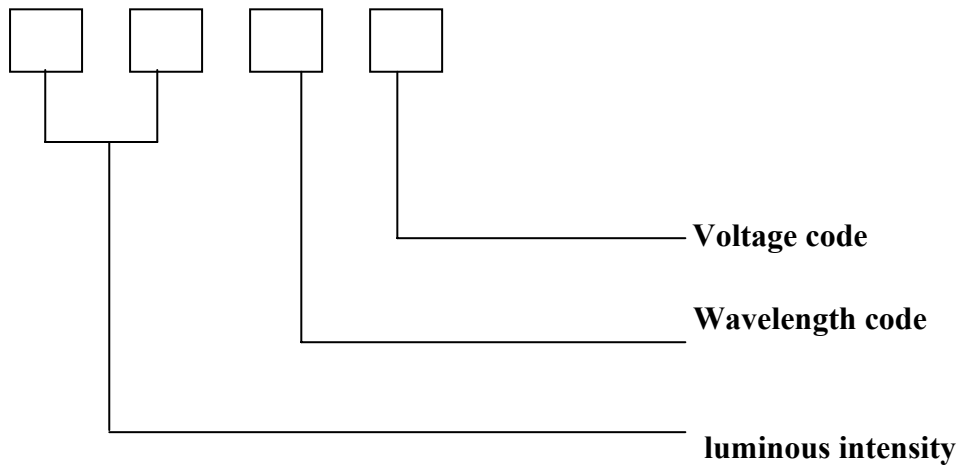
Electrical / Optical Characteristics
(Ta=25°C)

Item	Symbol	Condition	Min.	Typ.	Max.	Unit
Forward Voltage	V _F	IF=20mA		3.15	3.5	V
Reverse Current	I _R	VR=5V			10	uA
Chromaticity coordinate	X	IF=20mA		0.45		
Chromaticity coordinate	Y	IF=20mA		0.37		
Viewing Angle	2θ 1/2	IF=20mA		130		Deg
Luminous Intensity	I _V	IF=20mA	450	550		mcd

ISSUE	DIMENSION NO :	VERSION :	DATE :
		A	2012/12/14
	APPROVAL :	CHECK :	EDIT :

◆ **Packing coding principle**

Notice: Bin code: luminous intensity / wavelength / voltage.



◆ **The Luminous Intensity Grade of White Chip-LED Products**

● Test Condition : @20mA

Range	Bin code
450/550	P1
550/650	P2
650/750	Q1

◆ **Dominant Wavelength Grade of White Chip-LED Products**

● I type @20mA

BIN	CIE	Top	Right	Botto	Left	BIN	CIE	Top	Right	Botto	Left
R35	X	0.445	0.455	0.475	0.465	R36	X	0.450	0.460	0.480	0.470
	Y	0.350	0.360	0.360	0.350		Y	0.360	0.370	0.370	0.360
R37	X	0.455	0.465	0.485	0.475	R38	X	0.460	0.470	0.490	0.480
	Y	0.370	0.380	0.380	0.370		Y	0.380	0.390	0.390	0.380

◆ **Forward Voltage Grade of White Chip-LED Products**

● I type @20mA

Range	Bin code	Range	Bin code
2.8~2.9	1	3.1~3.2	4
2.9~3.0	2	3.2~3.3	5
3.0~3.1	3	3.3~3.4	6

◆ **Descriptions :**

- The Chip-LED Taping is much smaller than lead frame type components, thus enable smaller board size, higher packing density, reduced storage space and finally smaller equipment to be obtained.
- Besides, lightweight makes them ideal for miniature application, etc.

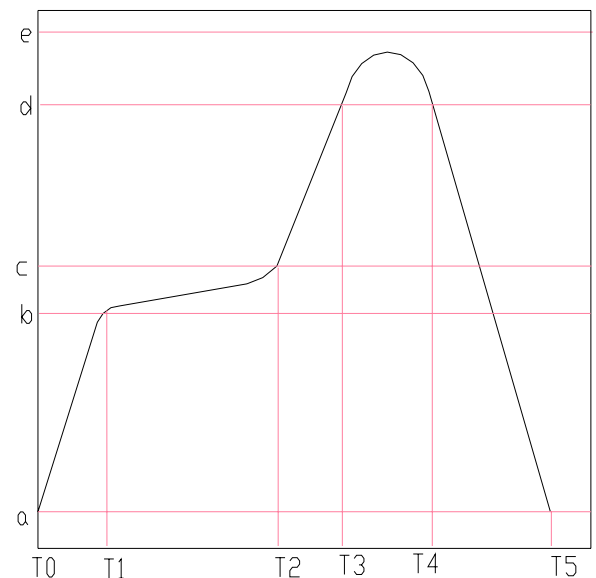
◆ **Reliability Test Items And Conditions :**

NO.	Item	Test Conditions	Test Hours / Cycle	Sample Q'ty	Ac / Re
1	Solder Heat	TEMP : 260°C ±5°C	5 sec	36 pcs	0 / 1
2	Temperature Cycle	H : +100°C 30min. ∩ 5min. L : -40°C 30min.	50 cycle	36 pcs	0 / 1
3	Thermal Shock	H : +100°C 5min. ∩ 10sec L : -40°C 5min.	50 cycle	36 pcs	0 / 1
4	High Temperature Storage	TEMP : 100°C	1000 hrs	36 pcs	0 / 1
5	Low Temperature Storage	TEMP : -40°C	1000 hrs	36 pcs	0 / 1
6	DC Operating Life	I _F = 20mA	1000 hrs	36 pcs	0 / 1
7	High Temperature / High Humidity	85°C / 90~95%R.H.	1000 hrs	36 pcs	0 / 1

◆ **Reflow Temp. / Time :**

Please refer to the following figure :

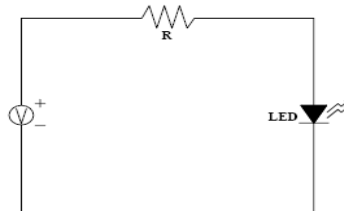
Temp.(°C)		Time(Sec)	
a	25	T0~T1	Max. 3°C/sec
b	150	T1~T2	90~130 sec
c	200	T2~T3	Max. 3°C/sec
d	220	T3~T4	Max. 30~50 sec
e	250		
		T4~T5	Max. -3°C/sec
Blet Speed		70~90 cm/min	



◆ **Precautions For Use :**

- Over - current - proof

Customer must apply resistors for protection, otherwise slight voltage shift will cause big current change (Burn out will happen)



- Storage

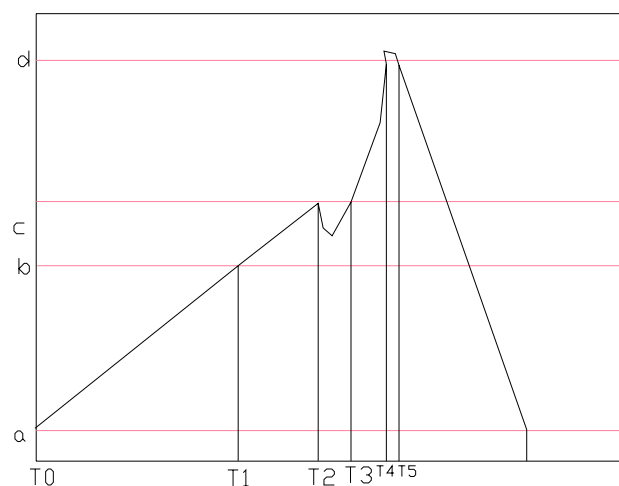
1. The operation of temperature and R.H. are : $5^{\circ}\text{C} \sim 30^{\circ}\text{C}$, R.H.60% Max..
2. Once the package is opened, the products should be used within 72 hrs. Otherwise, they should be kept in a dampproof box with desiccating regent. Considering the tape life, we suggest our customers to use our products within 1 year (from production date) .
3. It's recommended to bake before soldering when the package is unsealed after 72 hrs. The condition is : $80^{\circ}\text{C} \pm 5^{\circ}\text{C}$ for 24hrs.

◆ **Soldering Iron :**

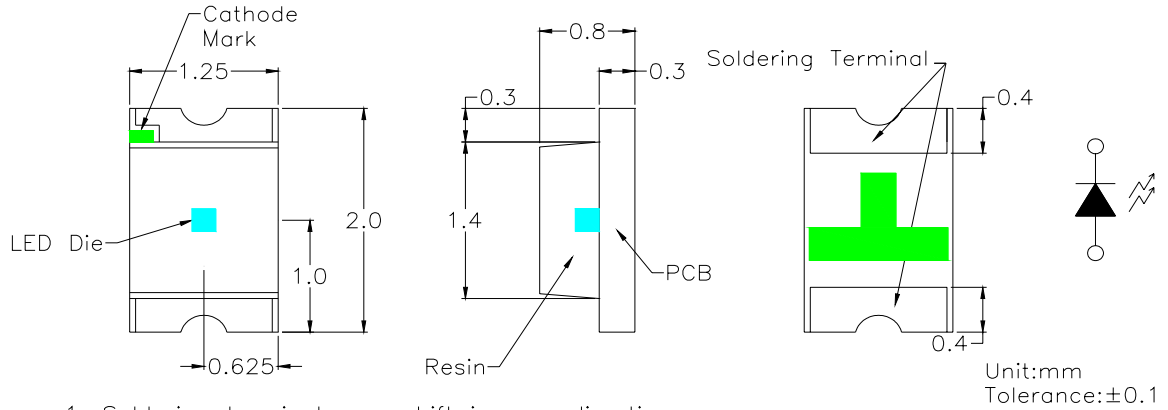
- Temperature at tip of iron : 300°C Max. (25W Max.)
- Soldering time : $5 \pm 1\text{sec}$.

◆ **Wave Soldering Temp. / Time :**

Temp.($^{\circ}\text{C}$)		Time(Sec)	
a	25	T1~T2	60 ± 20
b	130 ± 10	T2~T3	
c	185	T3~T6	
d	250 ± 3	T4~T5	3 ± 2

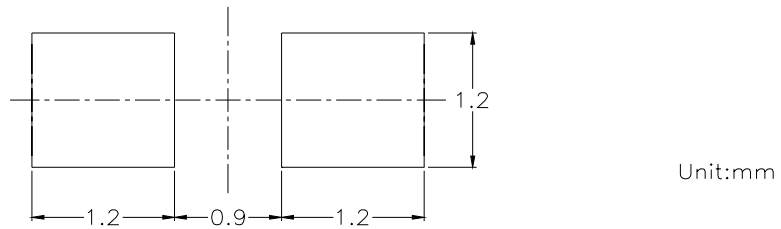


◆ Package Dimensions of Device

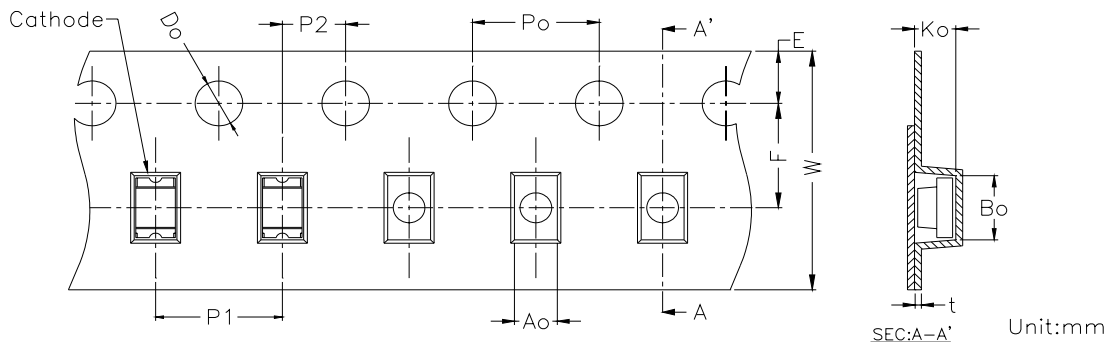


1. Soldering terminal may shift in x, y direction.
2. Polarity referring onto the cathode mark is reversed on the HR/UR/SR

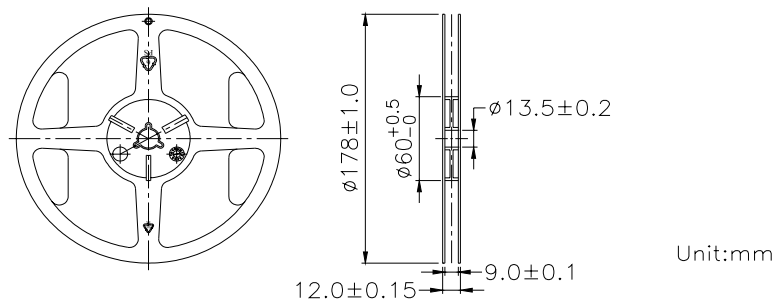
◆ Recommended Soldering Pad Dimensions



Packing Size													
Item	W	P1	E	F	Do	D1	Po	10Po	P2	Ao	Bo	Ko	t
Spec.	8.00	4.00	1.75	3.50	1.50	1.00	4.00	40.00	2.00	1.45	2.25	1.10	0.23
Tolerance	±0.20	±0.10	±0.10	±0.05	$\begin{matrix} +0.10 \\ -0.00 \end{matrix}$	±0.05	±0.05	±0.20	±0.05	±0.10	±0.10	±0.10	±0.05

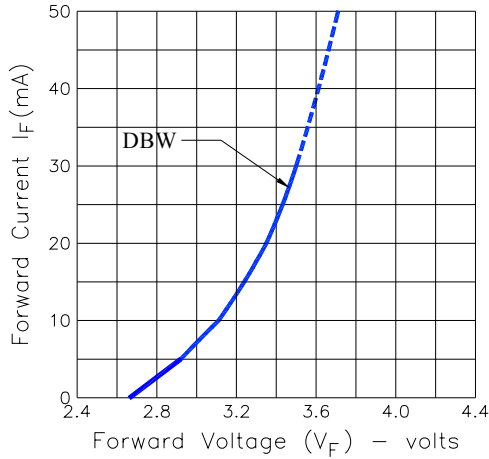


◆ Package Dimensions of Reel



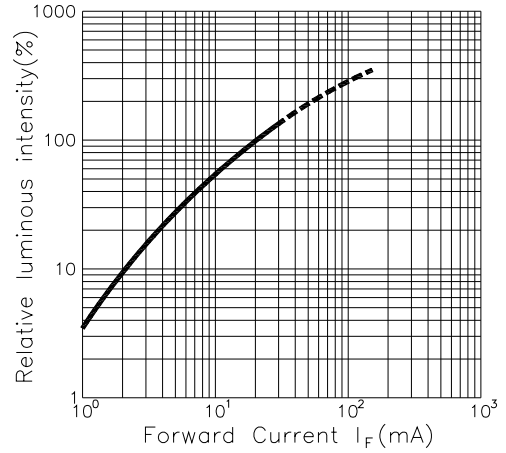
Forward Current Vs. Forward Voltage

Ta=25°C

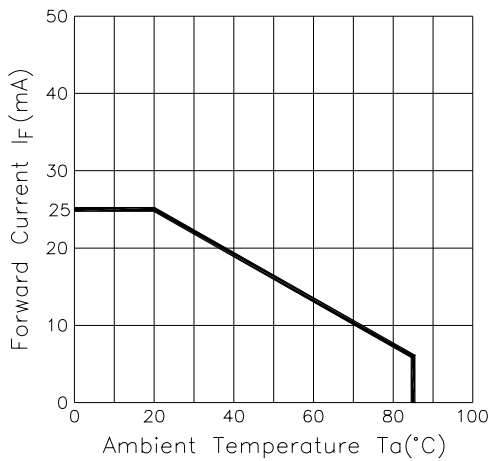


Luminous Intensity Vs. Forward Current

Ta=25°C

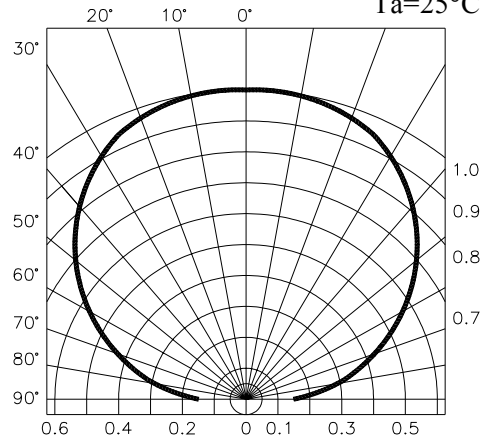


Forward Current Derating Curve

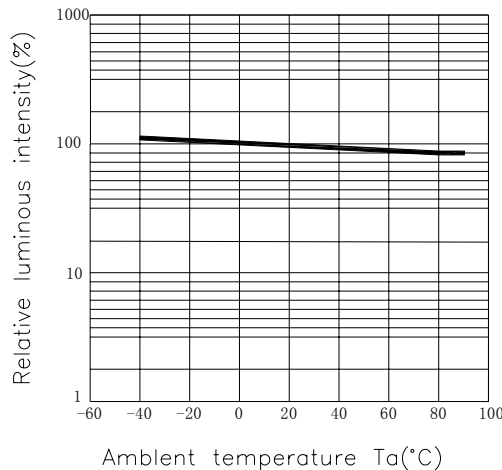


Radiation Diagram

Ta=25°C



Lumious intensity vs,Ambient temperature



Spectrum Distribution

